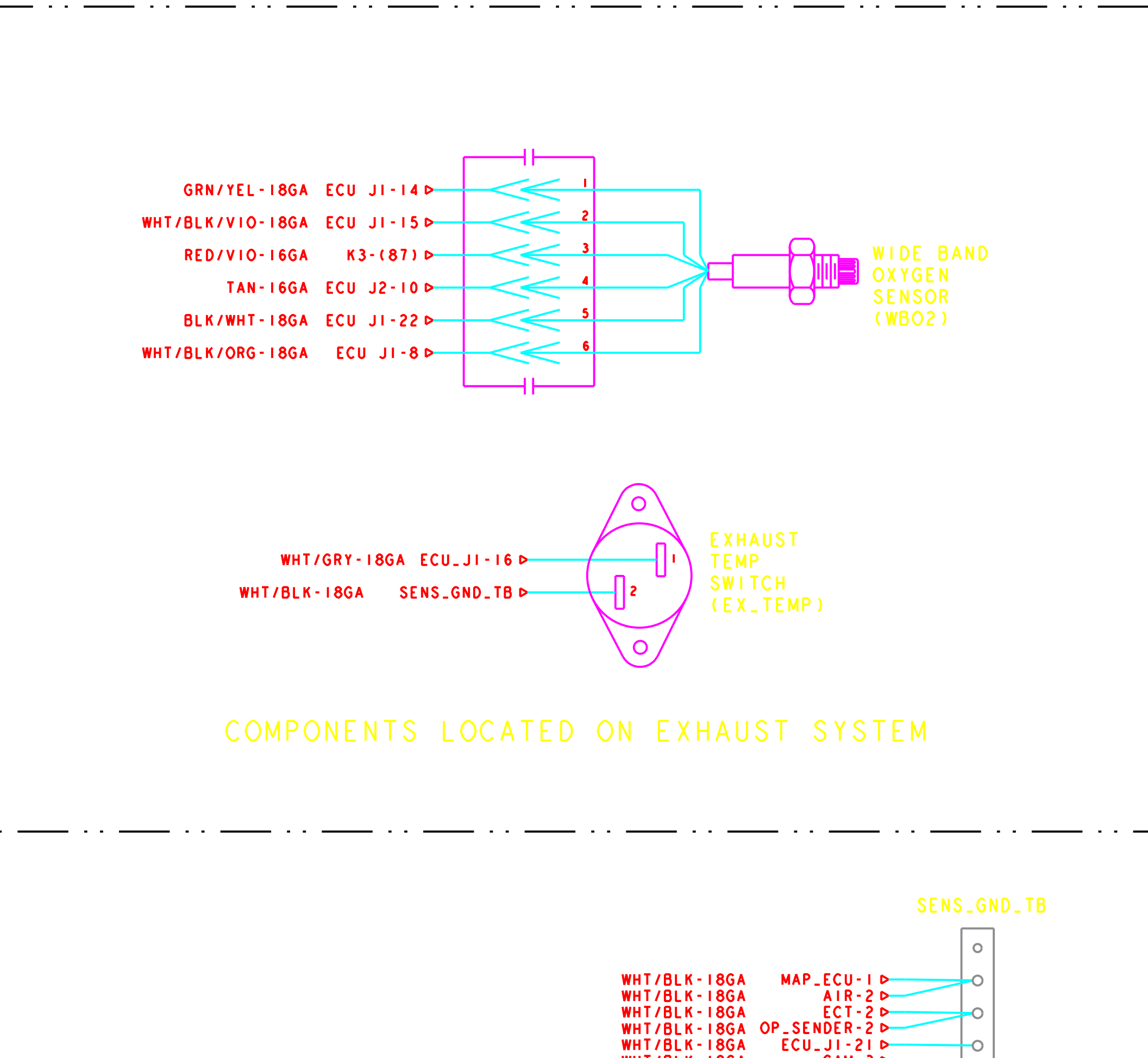
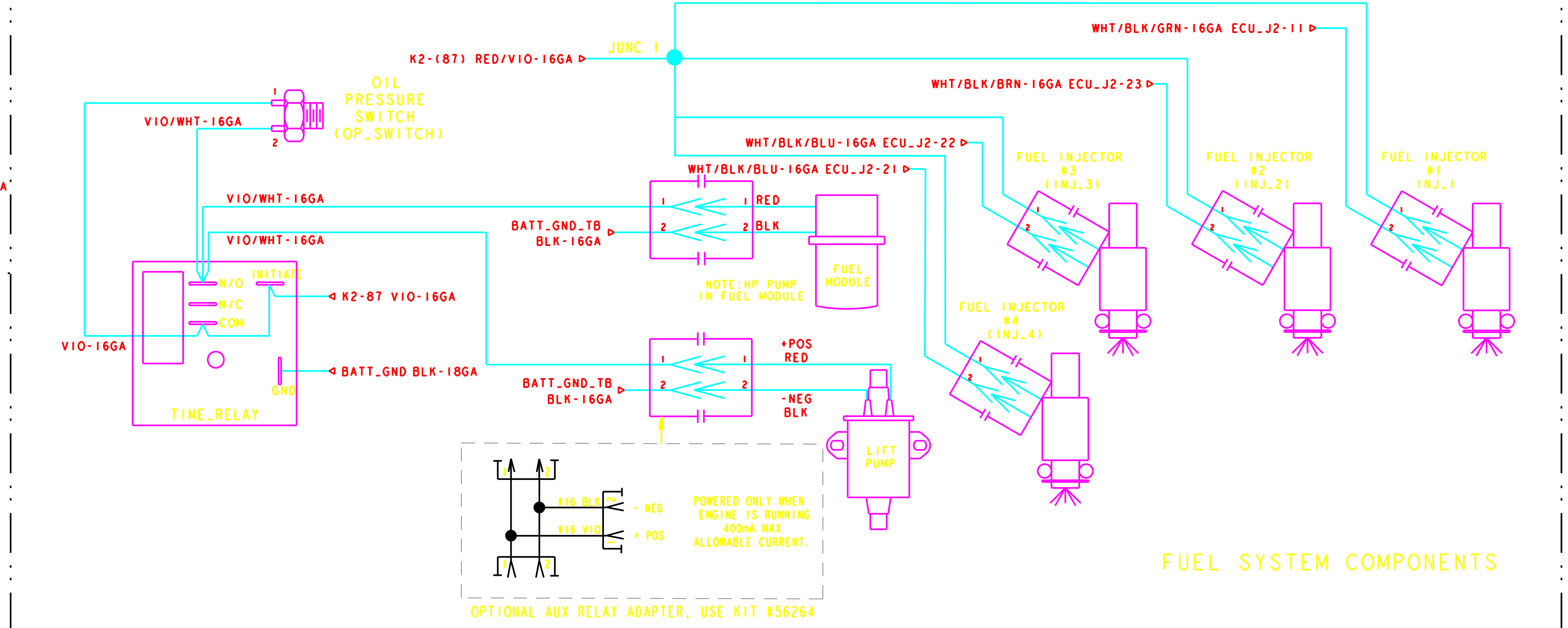
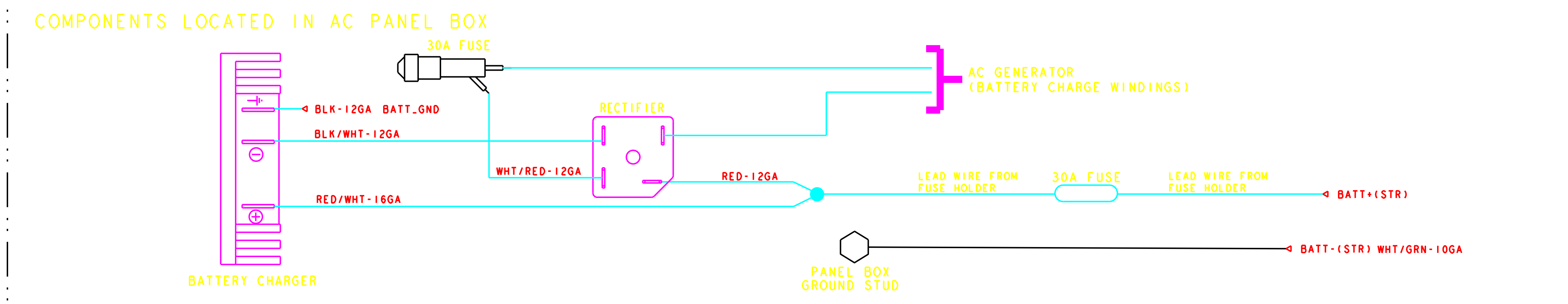
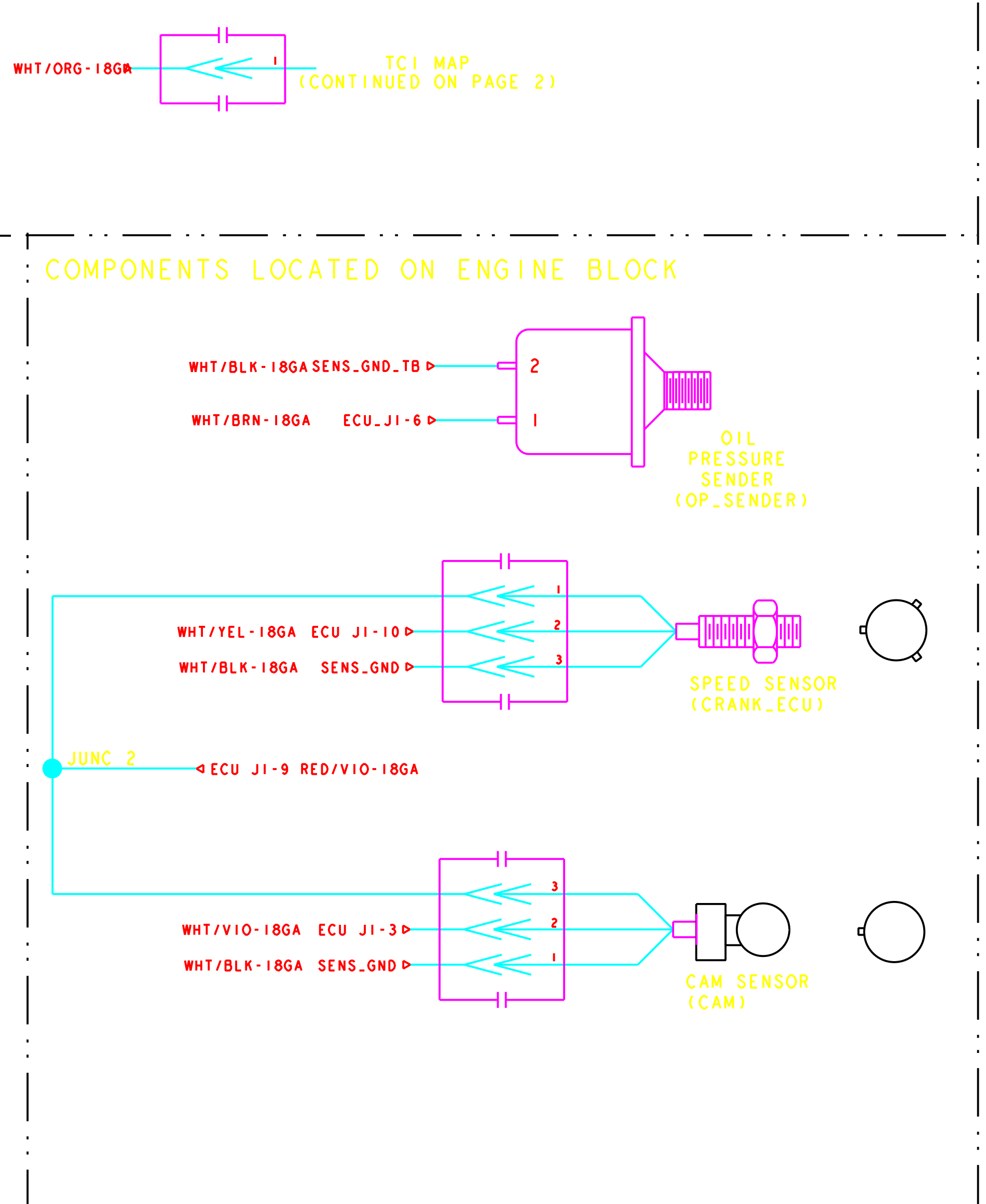
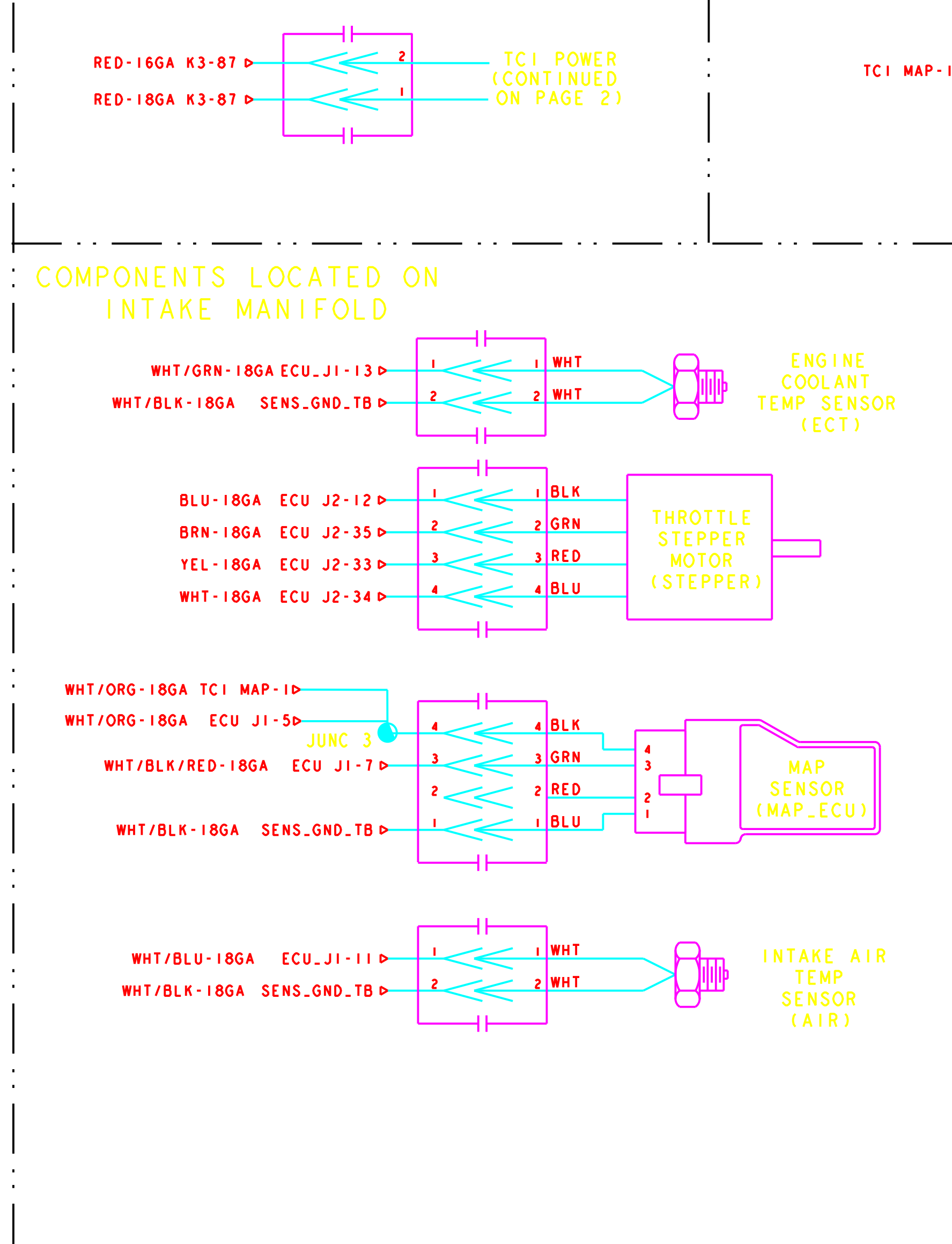
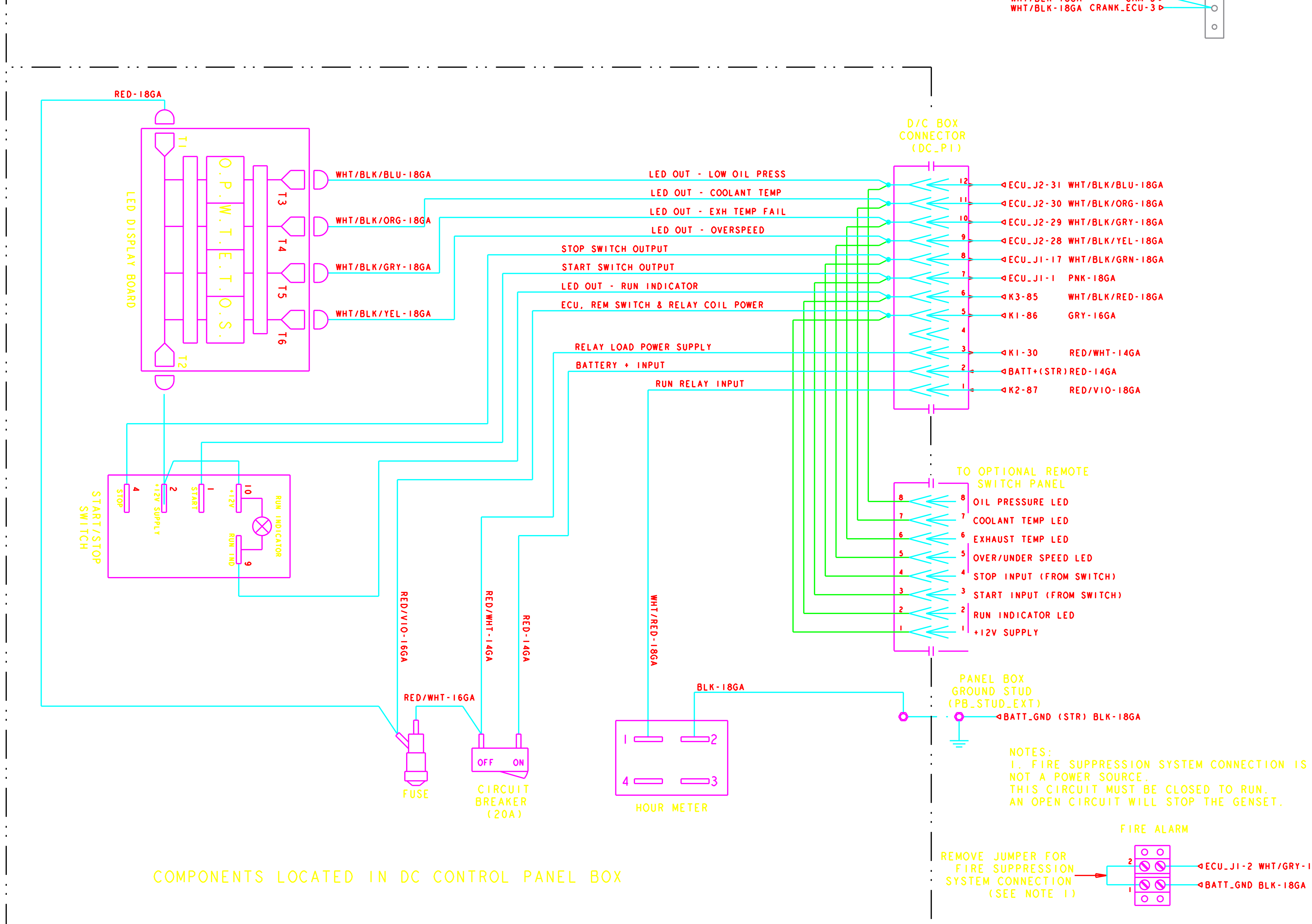
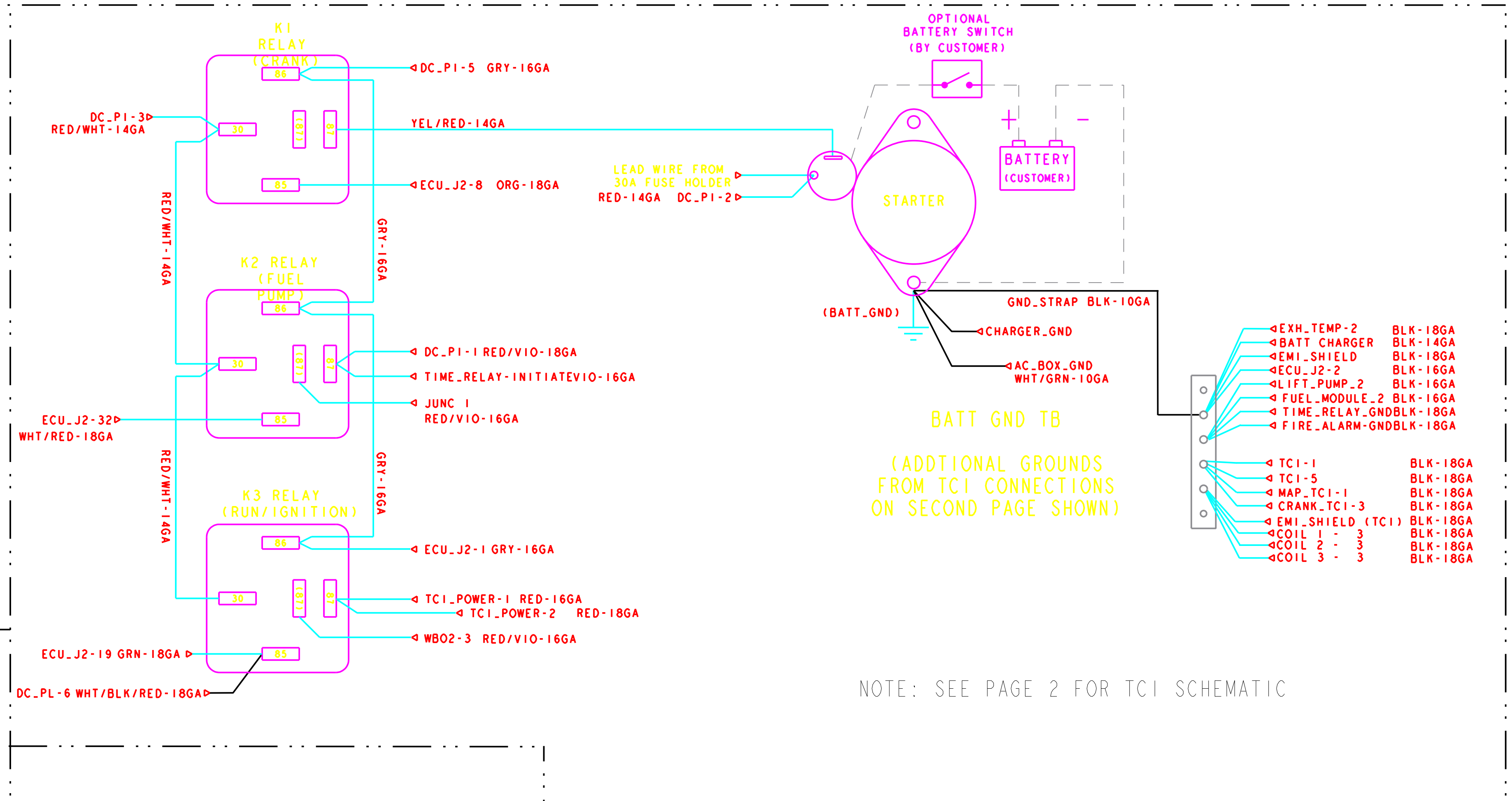


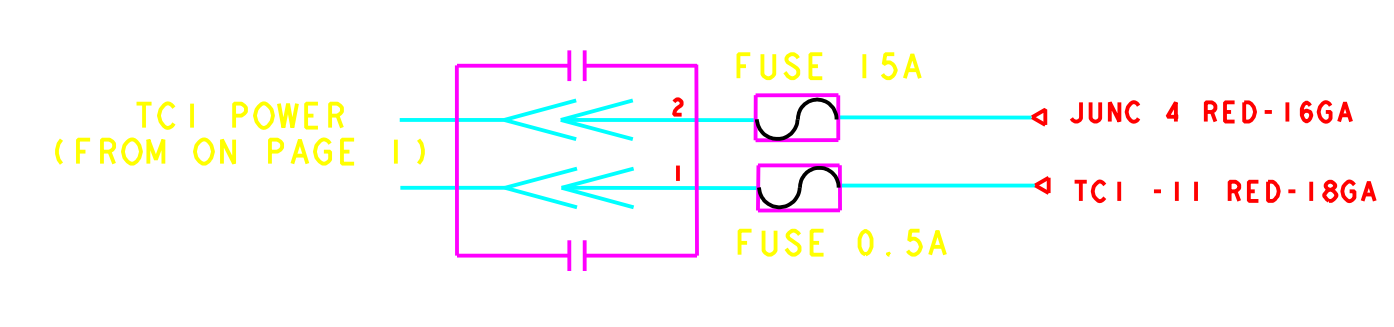
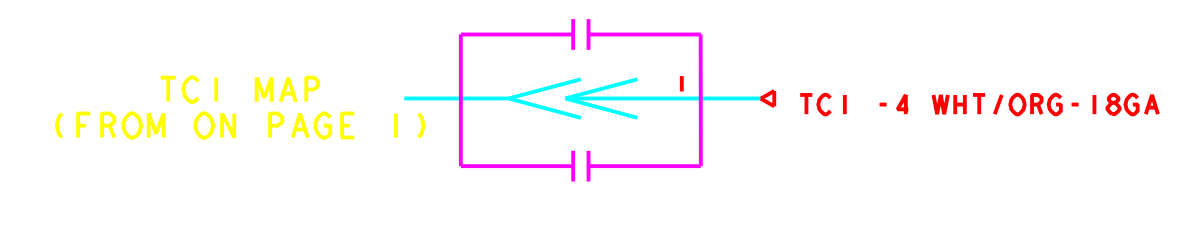
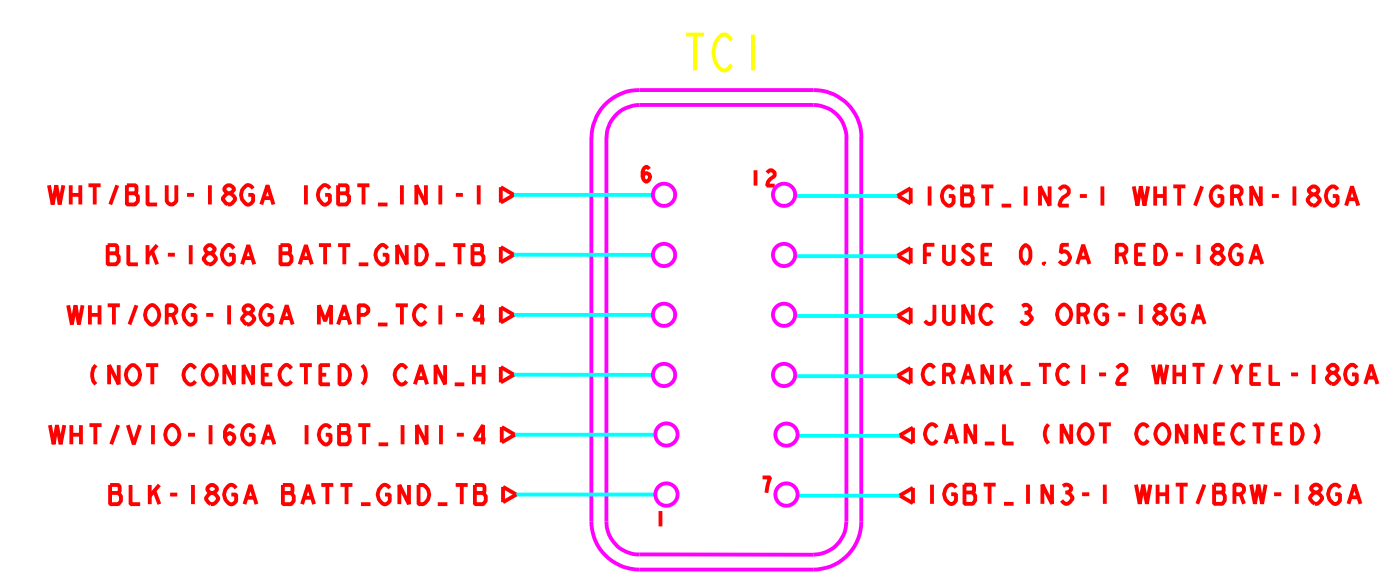
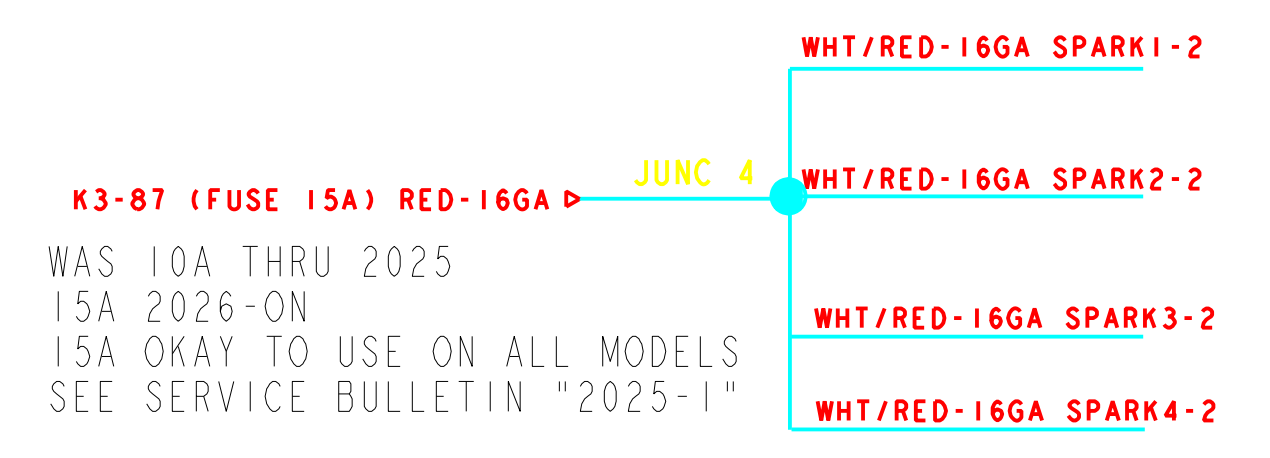
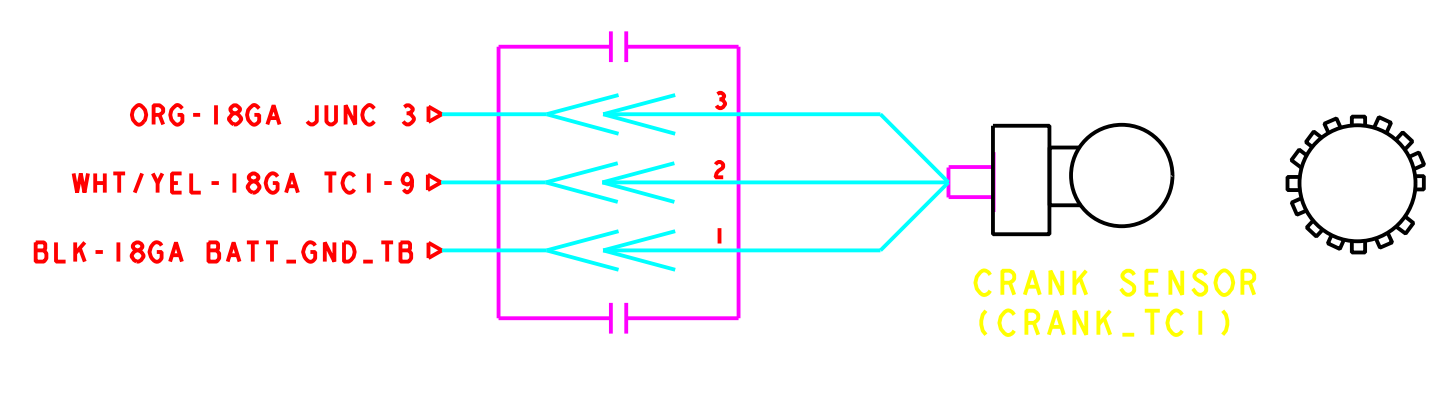
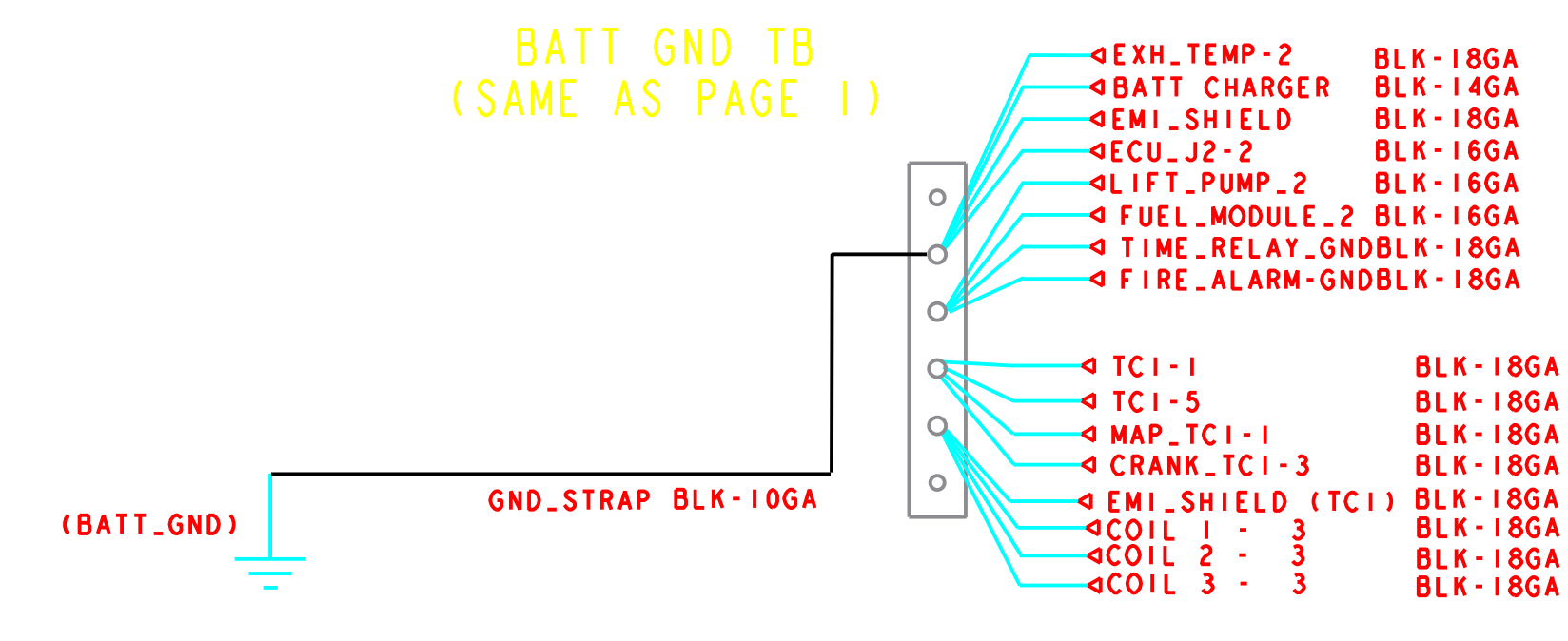
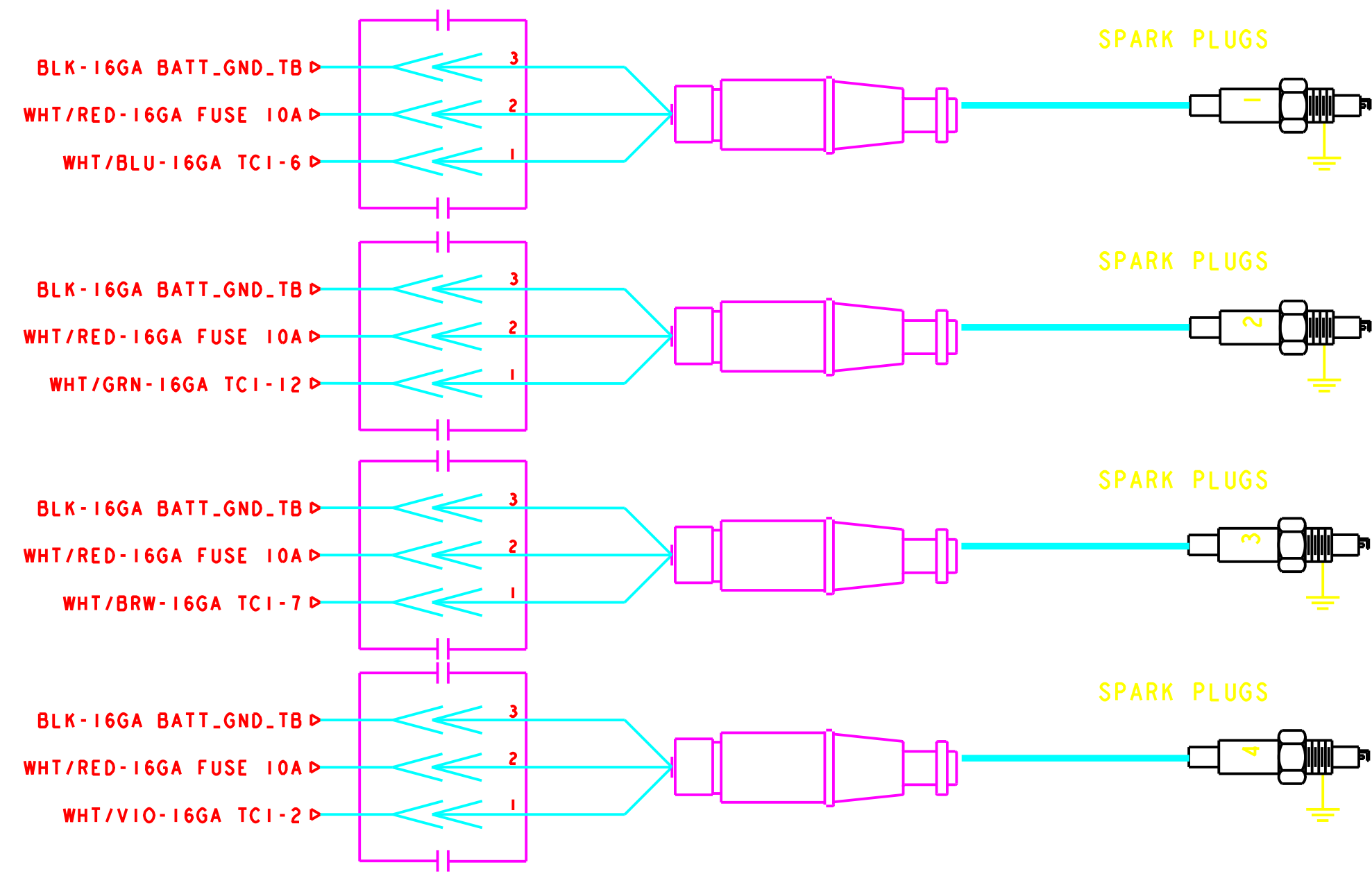
CONNECTIONS LOCATED ON ECU



COMPONENTS LOCATED ON EXHAUST SYSTEM



TOLERANCES (UNLESS OTHERWISE NOTED)		TITLE	
INCHES	MILLIMETERS	DGGENSET WIRE 9.5 MCGA	
XXX ± .005	XXX ± .13	DATE	3/1/05
FINISH		APPROVED BY	
DIMENSIONS		SCALE	1:1
INCHES		SIZE	11x17
MILLIMETERS		SCALE DRAWING	1:1
(WHEN APPLICABLE)		SHT. 1 OF 3	E 56890



TOLERANCES (UNLESS OTHERWISE NOTED)			
INCHES	MILLIMETERS	TITLE	
XX	.XX	DOGENSET WIRE 9.5 MCGA	
XXX	.XXX	DRAWN BY	DATE
CASE	.XX	JAS	31/May/18
FINISH	.XX	APPROVED BY	MATERIAL
DIMENSIONS (WHEN APPLICABLE)		SCALE DRAWING	DRAWING NUMBER
INCHES		SCALE	56890
MILLIMETERS		REV.	1
SHT. 2 of 3		E	

